

Ultra Low Profile LED Lighthead



Technical Specifications

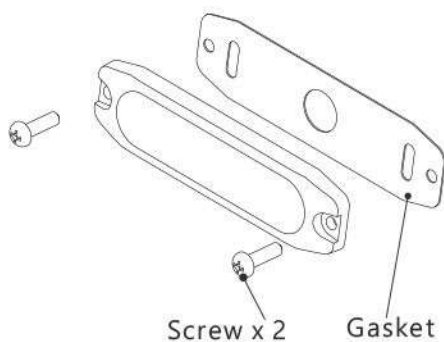
Type	O3	O4	O12
Max Power	8W	8W	15W
Voltage	DC 10-33V		
Color	Single	Single/Split	
LED	3pcs x 5w	4pcs x 5W	12pcs x 3W
Flash Pattern	20		
IP Rating	IP67		
Operating Temperature	-30°C to +60 °C		
Mount	Screw/Quick		Screw
Certifications	ECE R65 Class1,R10,SAE J595		ECE R65 Class 2,R10,SAE

Mount - O3/O4

Quick mount with 3M

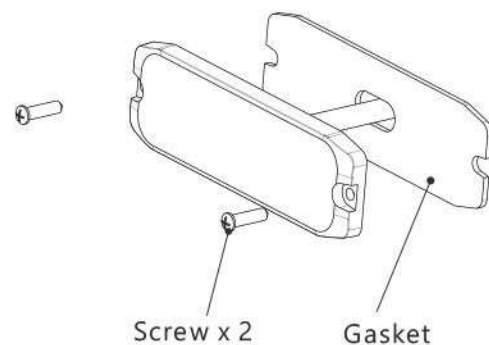


Screw mount



Mount - O12

Screw mount



Wiring

O3/O4

- RED** — For Power Supply to 10-33VDC
- BLACK** — GND
- BLUE OR YELLOW**—Synchronization, Flash Pattern Selection and Reset
 - Connect YELLOW wires of all heads together for synchronization
 - To change flash patterns, apply +VDC for less than 1 second and release
 - Flash patterns will be reset when YELLOW wires are connected to RED wire for more than 5 seconds
- WHITE** — Alternation

With the power off, connect the wire from one lighthouse to +VDC and leave the other unconnected. Their patterns will alternate when the lighthouses are activated.

O12

- RED** — For Power Supply to 10-33VDC
- BLACK** — GND
- GREEN** — 50% Power
- BLUE OR YELLOW**—Synchronization, Flash Pattern Selection and Reset
 - Connect YELLOW wires of all heads together for synchronization
 - To change flash patterns, apply +VDC for less than 1 second and release
 - Flash patterns will be reset when YELLOW wires are connected to RED wire for more than 5 seconds
- WHITE** — Alternation

With the power off, connect the wire from one lighthouse to +VDC and leave the other unconnected. Their patterns will alternate when the lighthouses are activated.

Flash Patterns

O4/O12

1	Random (Default)	11	Single (Split)
2	R65 Single (All)	12	Double (Split)
3	Double (All)	13	Quad (Split)
4	Single (All)	14	Quint (Split)
5	Double (All)	15	Nonuplet (Split)
6	Quad (All)	16	Single - Quad (Split)
7	Quint (All)	17	Single - Nonuplet (Split)
8	Nonuplet(All)	18	Steady 2 (California)
9	Single - Quad(All)	19	Steady 2
10	Single - Nonuplet (All)	20	Steady(All)

O3

1	Single R65	11	Single to Double 2HZ
2	Double 2HZ	12	Single to Double 1.25HZ
3	Triple 2HZ	13	Single to Quad 1.25HZ
4	Single 1.25HZ	14	Single to Mega 1.25HZ
5	Double 1.25HZ	15	Double to Triple 2HZ
6	Quad 1.25HZ	16	Single - Triple - Quint
7	Quint 1.25HZ	17	Warp
8	Mega 1.25HZ	18	Random
9	Single (Combo)	19	Steady
10	Double(Combo)	20	Mega Steady