

BR920

Switch
Simple
ITEM: 030501



Control LED lighthouse, MINI Lightbar from a single key pad.

Controller for use with existing 911signal lightbars.

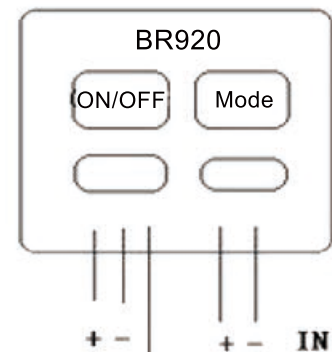
Easy installation using rear mounted "captive" terminal block.

12 VDC.

Universal bail bracket mount for under dash mounting.

Code	Item	Voltage	Type	Output
BR920	030501	12V	Switch Panel	2 Groups

Max current	Button		Mount
	Lock	Unlock	
10A each	1 Button	1Button	3M adhesive



Mode

